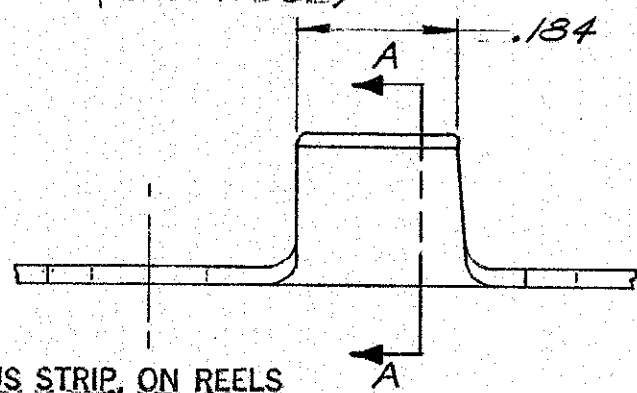
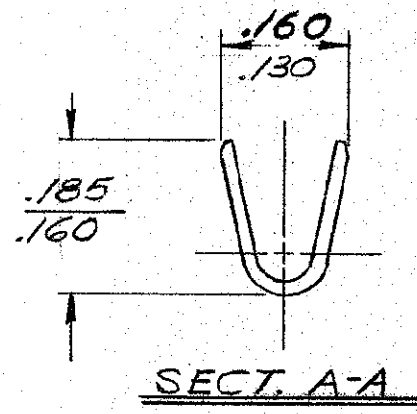
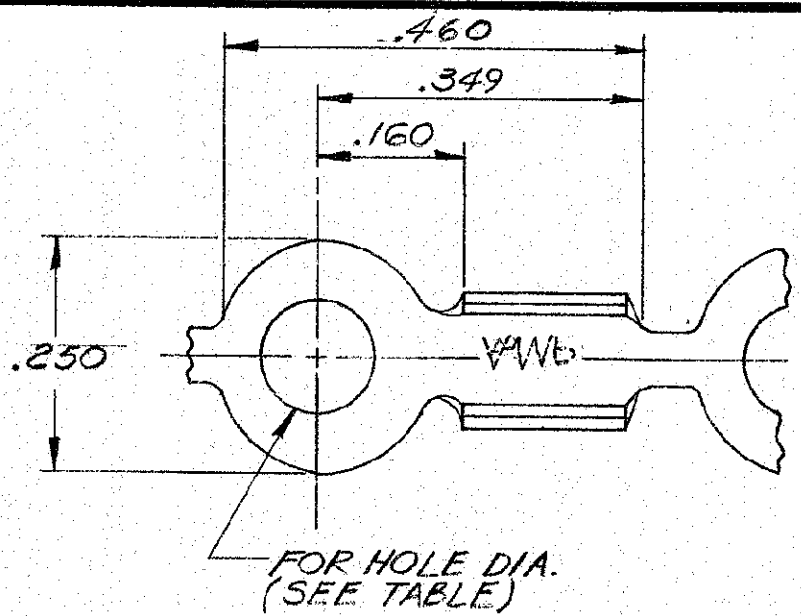


NUMBER 42054



**2** PRELIMINARY - NOT FOR PRODUCTION.

CONTINUOUS STRIP, ON REELS

WIRE SIZE A.W.G.	STUD #	HOLE DIA. T.OO3	MATERIAL AND FINISH	TERMINAL NUMBER	
<del>18-14</del>	<del>4</del>	<del>.119</del>	<del>.025 BRASS-NONE</del>	<del>42054-0</del>	<del>OBsolete</del>
<del>18-14</del>	<del>6</del>	<del>.165</del>	<del>.025 BRASS-NONE</del>	<del>42054-1</del>	
18-14	4	.119	.025 BRASS-TIN	42054-2	
<del>18-14</del>	<del>6</del>	<del>.143</del>	<del>.025 BRASS-TIN</del>	<del>42054-3</del>	<del>Obs.</del>
18-14	4	.119	.025 SST (304)	42054-4	Obs.
18-14	4	.119	.025 BRASS-NONE	42054-5/2	

DIMENSIONS IN INCHES. DO NOT SCALE PRINT.

G	ADDED - 5' PER OG3A-0348-01	WNEF		30 MAY 2001
F	REV BARREL OG3A-0089-01	MF	DA	5FEB 2001
E	REV PER AF-6785	PMF	GT	7/1/99
D	OBS. - 3 AF-3432 OBS. - 4 AF-3432	TMS	JT	7/1/99
C	OBS. - 1 AF-0586	SR	WT	7/1/99
B	A-0216 REVISED, ADDED (304 SST)	GY		7/1/99
A	ADDED 42054-4 REMOVED FROM 42053	GY		7/1/99

©1960 BY AMP INCORPORATED. ALL RIGHTS RESERVED. AMP PRODUCTS COVERED BY PATENTS AND/OR PATENTS PENDING.

**CUSTOMER COPY  
REFERENCE ONLY**



MATERIAL AND FINISH	
WIRE RANGE	INSULATION TYPE

LTR	REVISION RECORD	DR	CHK	DATE	TOLERANCE EXCEPT AS NOTED	SCALE	LOC	NO	REV
	B-1-68	DR	WNEF	8-9-68	AS NOTED	AS NOTED	AF A	42054	
	LE NEFF	DR	RP FRENCH	8-9-68					
	7-9-68								

RING